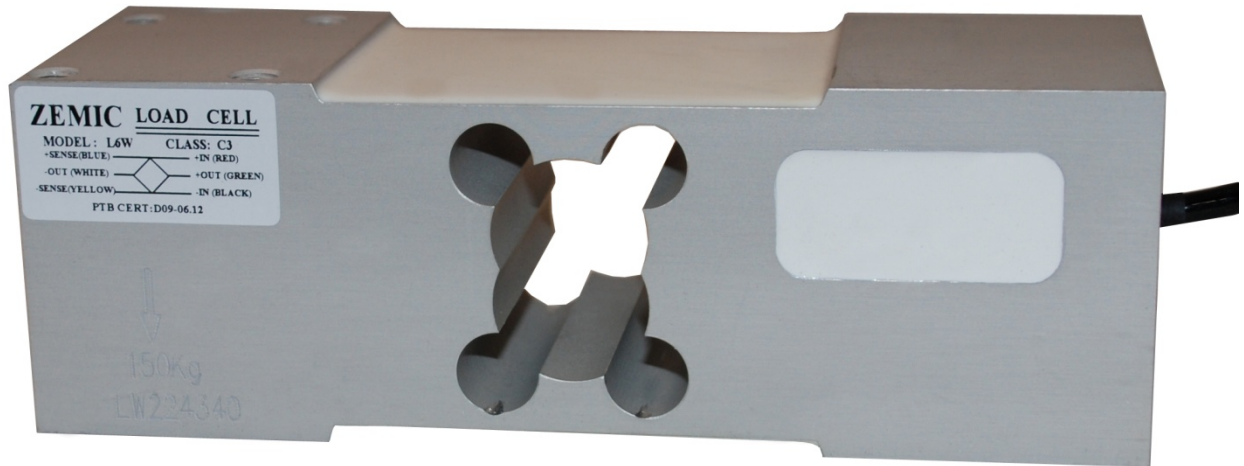



Type L6W Load Cell



Short description



- Aluminium-alloy IP65 single point load cell.
- Colourless anodized
- Suitable for single and double load cell structured platform scales.
- Maximum platform size:
for 50kg-200kg: 600 x 600 mm
for 250kg-635kg: 600 x 800 mm

 test certificate no. D09-06.12 Revision 0
C of C no R60/2000-CN1-06.03

 Certificate no. 12-006

Available models

| Capacity | Accuracy | Full article description |
|----------|----------|--------------------------|
| 50kg | C3 | L6W-C3-50kg-3G6 |
| 70kg | C3 | L6W-C3-70kg-3G6 |
| 100kg | C3 | L6W-C3-100kg-3G6 |
| 150kg | C3 | L6W-C3-150kg-3G6 |
| 200kg | C3 | L6W-C3-200kg-3G6 |
| 250kg | C3 | L6W-C3-250kg-3G6 |
| 300kg | C3 | L6W-C3-300kg-3G6 |
| 500kg | C3 | L6W-C3-500kg-3G6 |
| 635kg | C3 | L6W-C3-635kg-3G6 |

Specifications and dimensions are subject to change without notice and do not constitute any liability whatsoever.

Type L6W Load Cell

Detailed specifications L6W

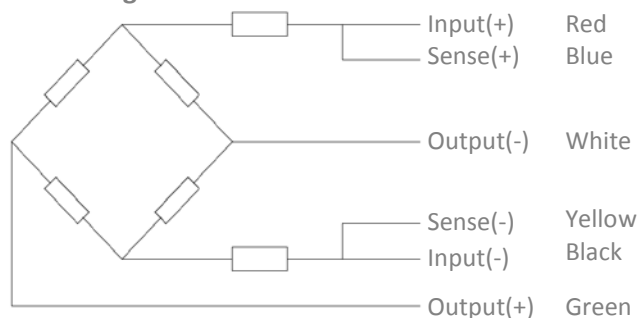
| | | | |
|--|---|---------------------------------|----------|
| Accuracy class | | OIML R60 C3 | |
| Output sensitivity (= FS) | mV/V | 2.0 ± 0.2 | |
| Maximum capacity (E _{max}) | kg | 50, 75, 100, 150, 200, 250, 300 | 500, 635 |
| Max.number of load cell intervals | n _{LC} | 3000 | |
| Ratio of min. LC verification interval | Y = E _{max} / v _{min} | 7000 | 10000 |
| Combined Error | %FS | ≤± 0.0230 | |
| Minimum dead load | Of E _{max} | 0% | |
| Safe overload | of E _{max} | 150 % | |
| Ultimate overload | of E _{max} | 300 % | |
| Zero balance | of FS | < ± 1.0 % | |
| Excitation, recommended voltage | V | 5 ~ 12 | |
| Excitation maximum | V | 18 | |
| Input resistance | Ω | 406 ± 6 | |
| Output resistance | Ω | 350 ± 3 | |
| Insulation resistance | MΩ | ≥5000 (at 50VDC) | |
| Compensated temperature | °C | -10 ~ +40 | |
| Operating temperature | °C | -35 ~ +65 | |
| Storage temperature | °C | -40 ~ +70 | |
| Element material | | Aluminium | |
| Ingress Protection (acc. to EN 60529) | | IP65 | |
| Recommended torque on fixation | Nm | M8: 25 | |

Wiring

Wiring:

Shielded, 6 conductor cable.
 Cable diameter: Ø4.7mm.
 Standard cable length: 3m.
 Shield connected to element.
 Cable jacket in PU.

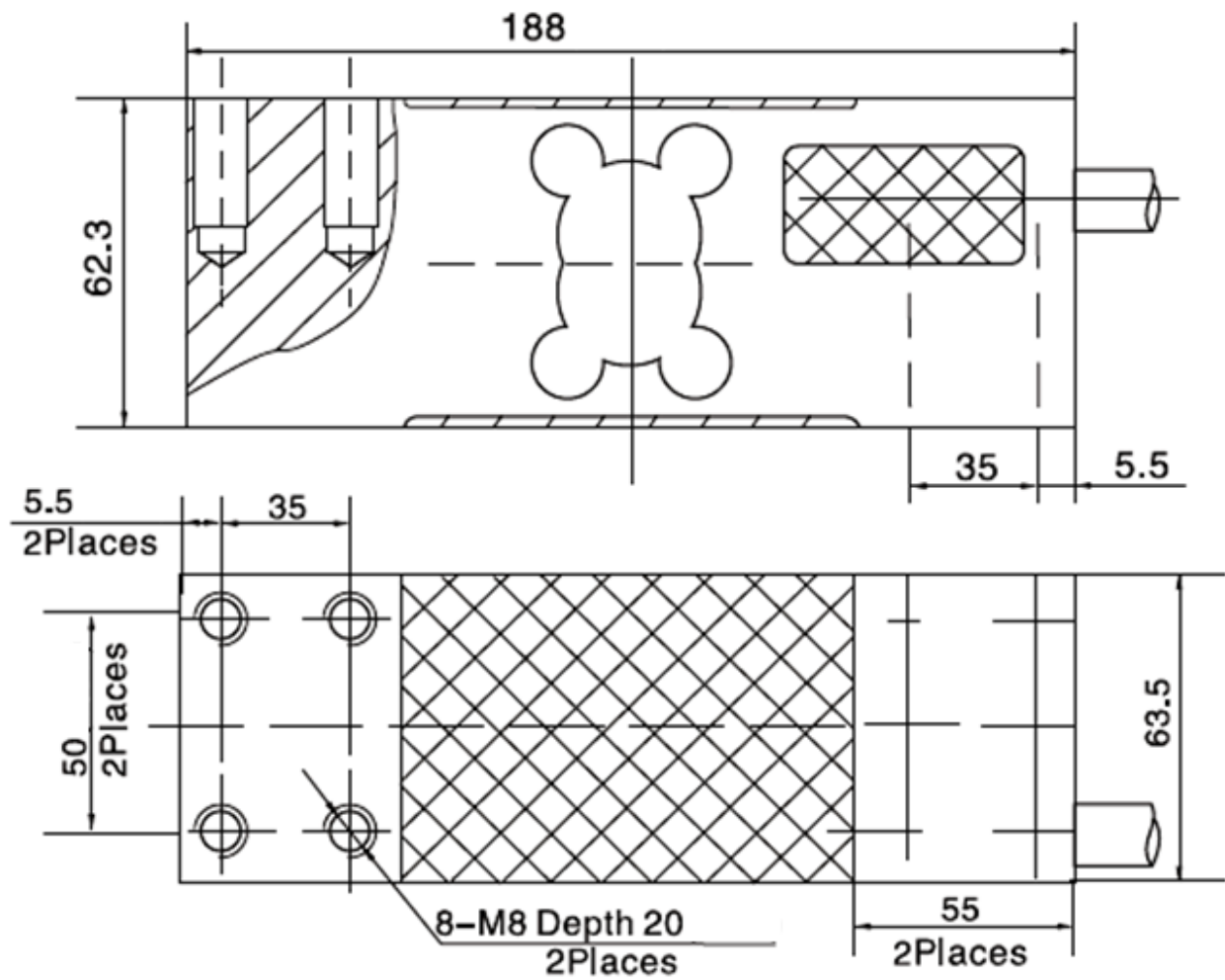
6-wire diagram



Specifications and dimensions are subject to change without notice and do not constitute any liability whatsoever.

Type L6W Load Cell

Dimensions in mm



Specifications and dimensions are subject to change without notice and do not constitute any liability whatsoever.