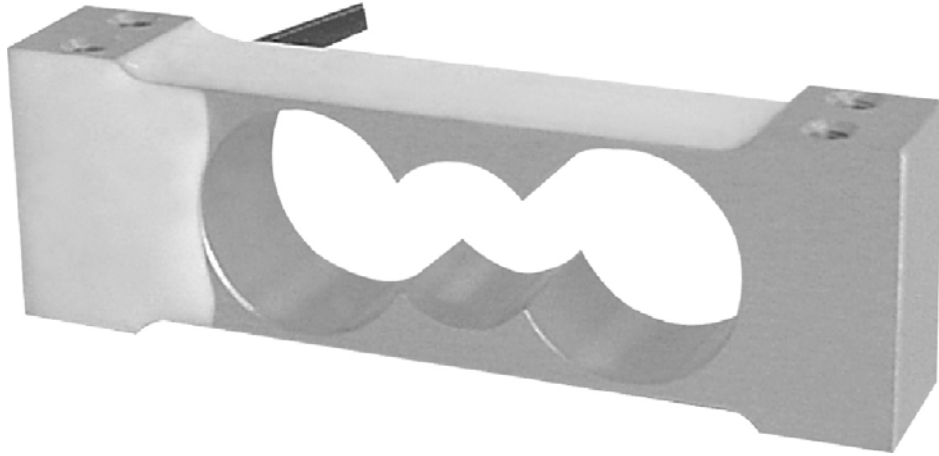


Type L6J1 Load Cell



Short description



- Aluminium-alloy IP65 single point load cell.
- Colourless anodized
- Suitable for counting scales, balances, pricing scales etc
- Maximum platform size: 200 x 200 mm

Non OIML approved

Available models

Capacity	Accuracy	Full article description
0.3kg	C3D	L6J1-C3D-0.3kg-0.45B
0.4kg	C3D	L6J1-C3D-0.4kg-0.45B
0.5kg	C3D	L6J1-C3D-0.5kg-0.45B
0.6kg	C3D	L6J1-C3D-0.6kg-0.45B
1kg	C3D	L6J1-C3D-1kg-0.45B
3kg	C3D	L6J1-C3D-3kg-0.45B

Specifications and dimensions are subject to change without notice and do not constitute any liability whatsoever.

Type L6J1 Load Cell

Detailed specifications L6J1

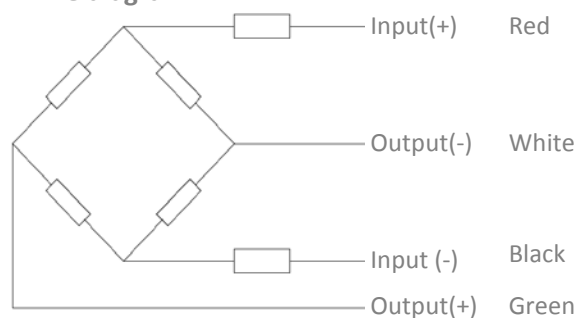
Accuracy class		C3D
Output sensitivity (= FS)	mV/V	1.0 ± 0.1
Maximum capacity (E _{max})	kg	0.3, 0.4, 0.5, 0.6, 1, 3
Max.number of load cell intervals	n _{LC}	2500
Ratio of min. LC verification interval	$Y = E_{max} / v_{min}$	5000
Combined Error	%FS	≤± 0.0280
Minimum dead load	Of E _{max}	0%
Safe overload	of E _{max}	150 %
Ultimate overload	of E _{max}	300 %
Zero balance	of FS	< ± 2.0 %
Excitation, recommended voltage	V	5 ~ 12
Excitation maximum	V	18
Input resistance	Ω	394 ± 6
Output resistance	Ω	350 ± 3
Insulation resistance	MΩ	≥5000 (at 50VDC)
Compensated temperature	°C	-10...+40
Operating temperature	°C	-35...+65
Storage temperature	°C	-40...+70
Element material		Aluminium
Ingress Protection (acc. to EN 60529)		IP65
Recommended torque on fixation	Nm	M3: 1.5

Wiring

Wiring:

Shielded, 4 conductor cable.
Cable Diameter: Ø3mm
Standard cable length: 0.45m
Shield not connected to element.
Cable jacket is PVC.

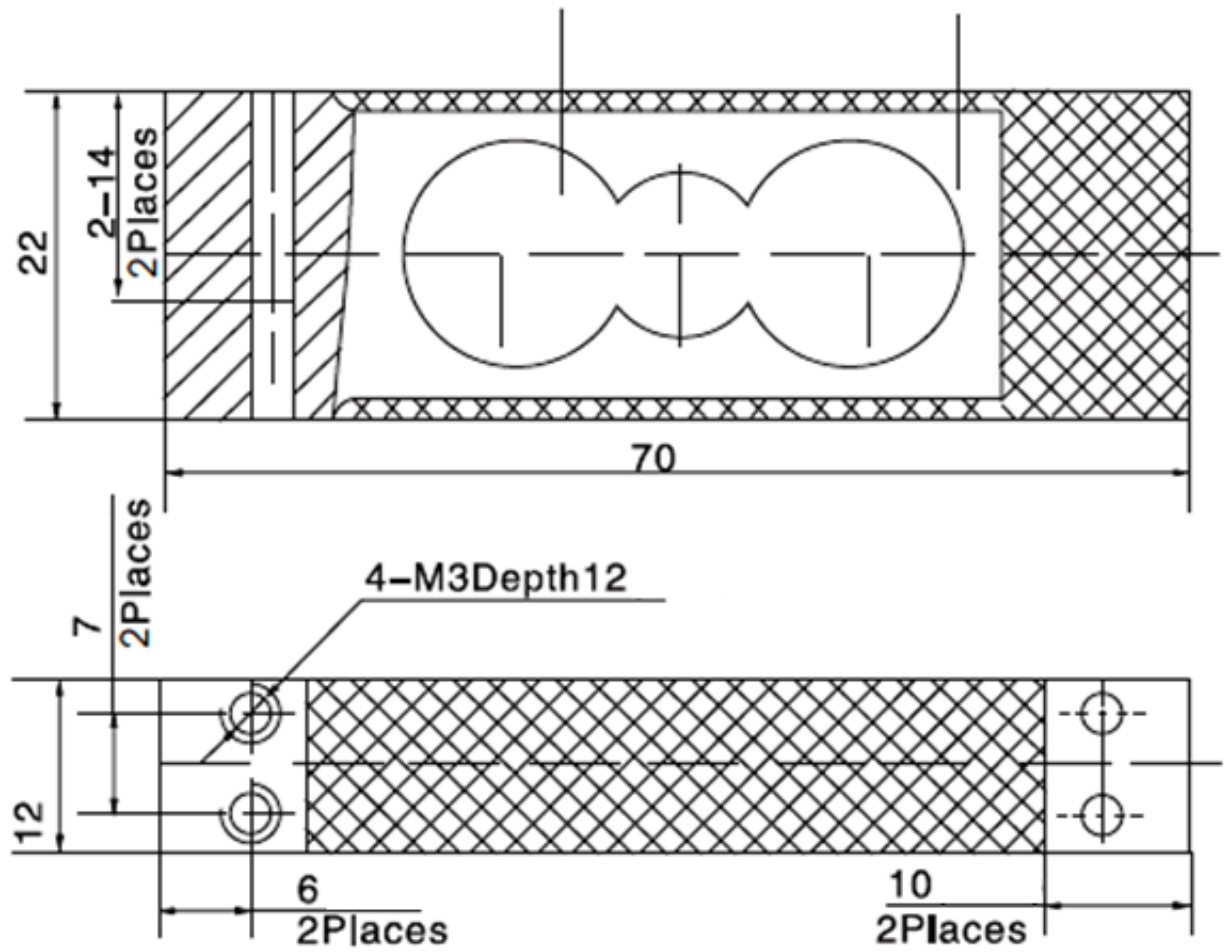
4-wire diagram



Specifications and dimensions are subject to change without notice and do not constitute any liability whatsoever.

Type L6J1 Load Cell

Dimensions in mm



Specifications and dimensions are subject to change without notice and do not constitute any liability whatsoever.