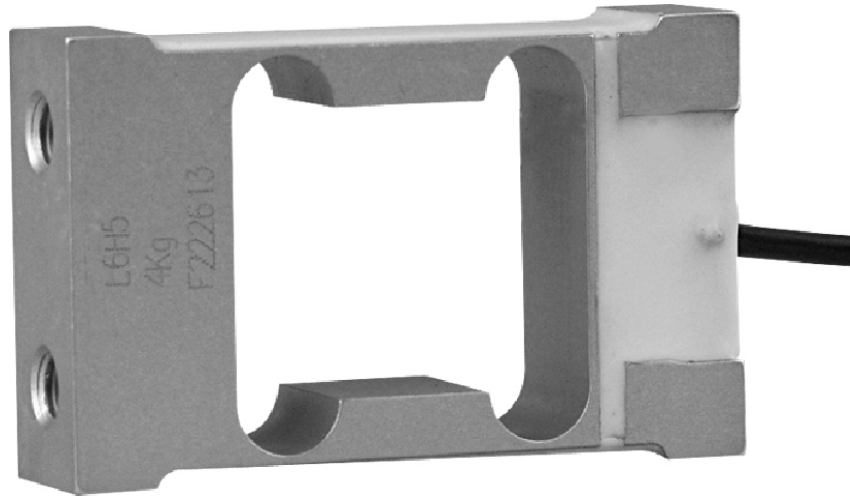


Type L6H5 Load Cell



Short description



- Aluminium-alloy IP65 single point load cell.
- Colourless anodized
- Suitable for single or double load cell structured platform scales
- Maximum platform size: 200 x 200 mm



OIML test certificate no. TC7839 Revision 0
C of C no R60/2000-NL1-10.23

Available models

Capacity	Accuracy	Full article description
4kg	C3	L6H5-C3-4kg-0.5B
5kg	C3	L6H5-C3-5kg-0.5B
6kg	C3	L6H5-C3-6kg-0.5B
8kg	C3	L6H5-C3-8kg-0.5B
10kg	C3	L6H5-C3-10kg-0.5B
20kg	C3	L6H5-C3-20kg-0.5B

Specifications and dimensions are subject to change without notice and do not constitute any liability whatsoever.

Detailed specifications L6H5

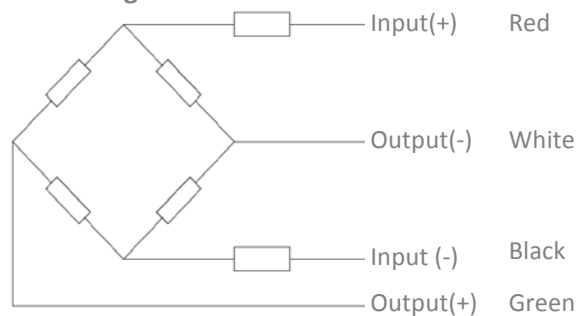
Accuracy class		OIML R60 C3
Output sensitivity (= FS)	mV/V	2.0 ± 0.2
Maximum capacity (E _{max})	kg	4, 5, 6, 8, 10, 20
Max.number of load cell intervals	n _{LC}	3000
Ratio of min. LC verification interval	$Y = E_{max} / v_{min}$	15000
Combined Error	%FS	≤± 0.0230
Minimum dead load	Of E _{max}	0%
Safe overload	of E _{max}	150 %
Ultimate overload	of E _{max}	300 %
Zero balance	of FS	< ± 2.0 %
Excitation, recommended voltage	V	5 ~ 12
Excitation maximum	V	18
Input resistance	Ω	409 ± 6
Output resistance	Ω	350 ± 3
Insulation resistance	MΩ	≥5000 (at 50VDC)
Compensated temperature	°C	-10 ~+40
Operating temperature	°C	-35 ~ +65
Storage temperature	°C	-40 ~ +70
Element material		Aluminium
Ingress Protection (acc. to EN 60529)		IP65
Recommended torque on fixation	Nm	M8: 25

Wiring

Wiring:

Shielded, 4 conductor cable.
 Cable diameter: Ø3.8mm.
 Standard cable length: 0.5m.
 Shield not connected to element.
 Cable jacket in PVC.

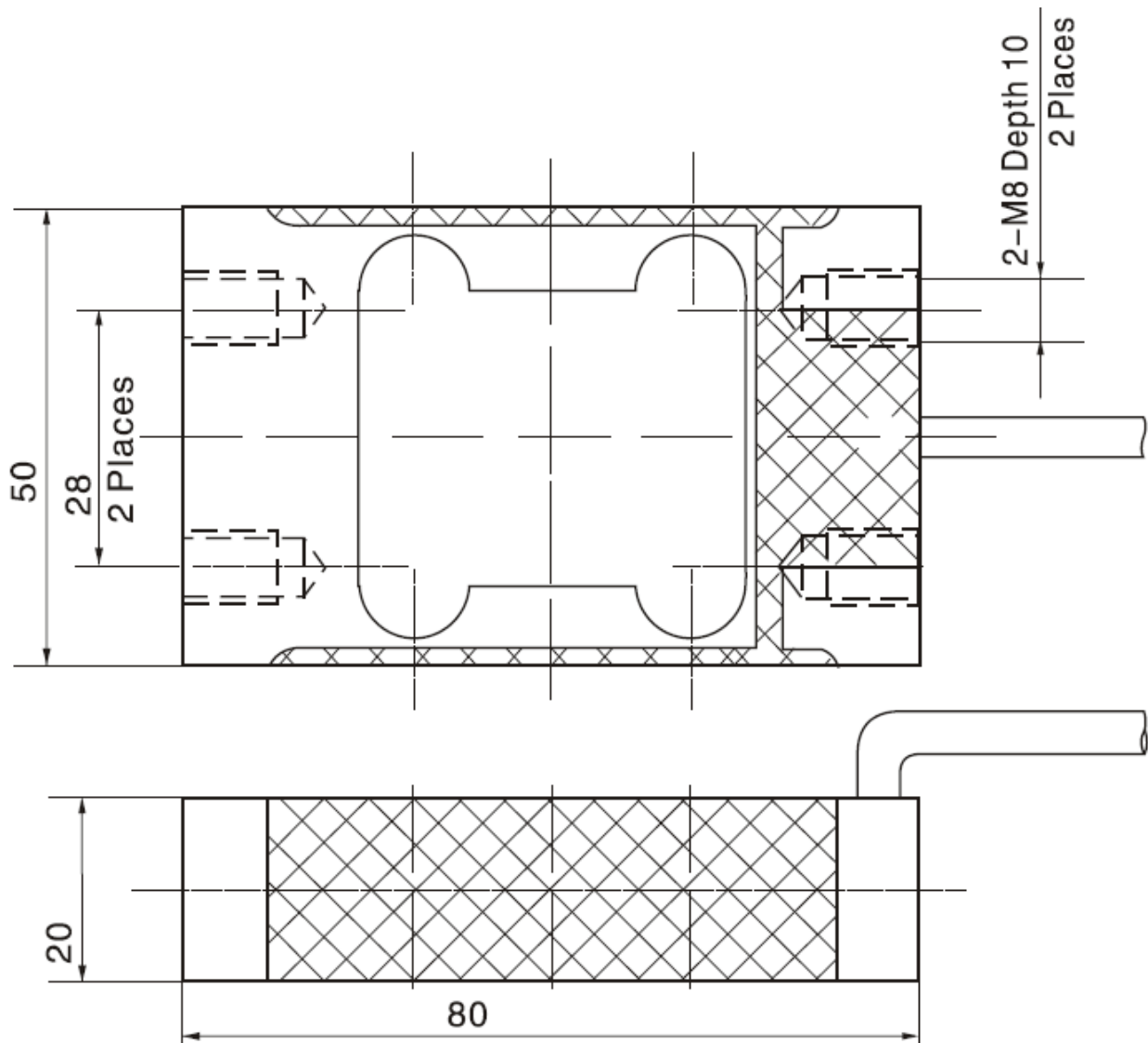
4-wire diagram



Specifications and dimensions are subject to change without notice and do not constitute any liability whatsoever.

Type L6H5 Load Cell

Dimensions in mm



Specifications and dimensions are subject to change without notice and do not constitute any liability whatsoever.