

Type L6D15 Load Cell



Short description



- Aluminium-alloy IP65 single point load cell.
- Colourless anodized
- Suitable for pricing scales, bench scales, etc.
- Maximum platform size: 350 x 350 mm

 OIML test certificate no. D09-09.13

Available models

Capacity	Accuracy	Full article description
6kg	C3/C5	L6D15-C3/C5-6kg-0.085B
9kg	C3/ C5	L6D15-C3/C5-9kg-0.085B
12kg	C3/ C5	L6D15-C3/C5-12kg-0.085B
15kg	C3/ C5	L6D15-C3/C5-15kg-0.085B
18kg	C3/ C5	L6D15-C3/C5-18kg-0.085B
30kg	C3/ C5	L6D15-C3/C5-30kg-0.085B

Specifications and dimensions are subject to change without notice and do not constitute any liability whatsoever.

Type L6D15 Load Cell

Detailed specifications L6D15

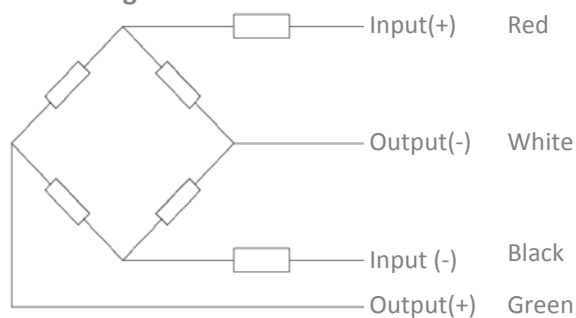
Accuracy class		OIML R60 C3	OIML R60 C5
Output sensitivity (= FS)	mV/V	2.0 ± 0.2	
Maximum capacity (E _{max})	kg	6, 9, 12, 15, 18, 30	
Max.number of load cell intervals	n _{LC}	3000	5000
Ratio of min. LC verification interval	$Y = E_{max} / v_{min}$	15000	20000
Combined Error	%FS	≤± 0.0230	≤± 0.0170
Minimum dead load	Of E _{max}	0%	
Safe overload	of E _{max}	150 %	
Ultimate overload	of E _{max}	300 %	
Zero balance	of FS	< ± 1.0 %	
Excitation, recommended voltage	V	5 ~ 12	
Excitation maximum	V	18	
Input resistance	Ω	409 ± 6	
Output resistance	Ω	350 ± 3	
Insulation resistance	MΩ	≥5000 (at 50VDC)	
Compensated temperature	°C	-10~+40	
Operating temperature	°C	-35~+65	
Storage temperature	°C	-40~+70	
Element material		Aluminium	
Ingress Protection (acc. to EN 60529)		IP65	
Recommended torque on fixation	Nm	6	

Wiring

Wiring:

Shielded, 4 conductor cable.
Cable diameter: Ø3.0mm.
Standard cable length: 0.085m.
Shield not connected to element.
Cable jacket in PVC.

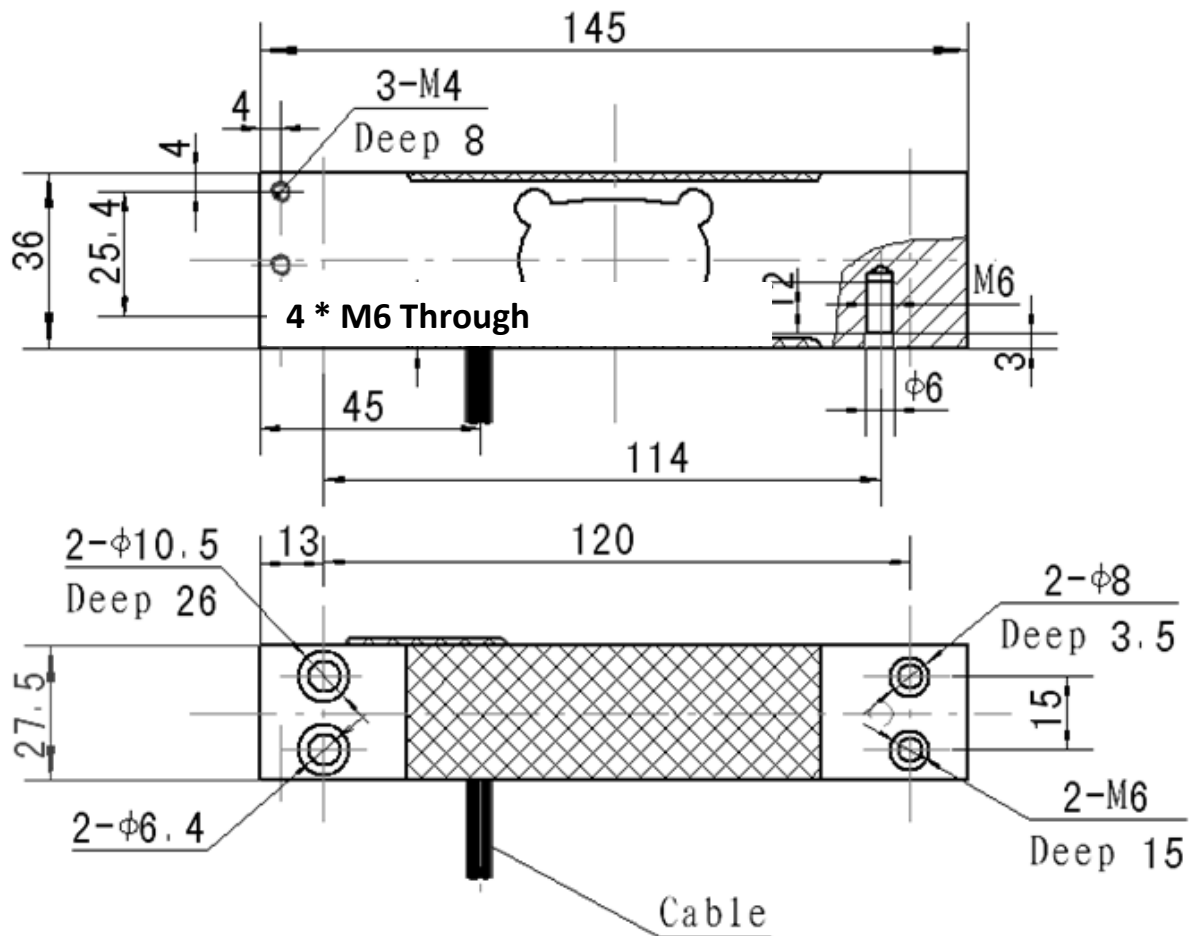
4-wire diagram



Specifications and dimensions are subject to change without notice and do not constitute any liability whatsoever.

Type L6D15 Load Cell

Dimensions in mm



Note: Screws M6 class 8.8, screw rinsed with oil. Torque as in specifications table

Specifications and dimensions are subject to change without notice and do not constitute any liability whatsoever.