



Short description



- Aluminium-Alloy IP65 single point load cell.
- Colourless anodized
- Suitable for pricing scales, bench scales, etc.
- Maximum platform size: 200 x 200 mm

Available models

Capacity	Accuracy	Full article description
0.3kg	L/H	L6B-L/H-0.3kg-0.4B
0.6kg	L/H	L6B-L/H-0.6kg-0.4B
1.0kg	L/H	L6B-L/H-1.0kg-0.4B
1.2kg	L/H	L6B-L/H-1.2kg-0.4B
1.5kg	L/H	L6B-L/H-1.5kg-0.4B
3.0kg	L/H	L6B-L/H-3.0kg-0.4B

Specifications and dimensions are subject to change without notice and do not constitute any liability whatsoever.

Detailed specifications L6B

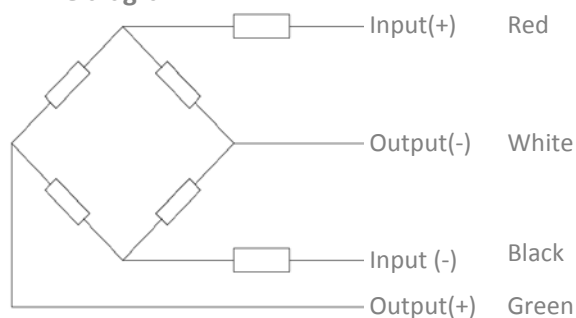
Accuracy class		L	H
Output sensitivity (= FS)	mV/V	0.9 ± 0.1	
Maximum capacity (E _{max})	kg	0.3, 0.6, 1.0, 1.2, 1.5, 3	
Linearity	%FS	≤± 0.015	≤± 0.012
Hysteresis	%FS	≤± 0.015	≤± 0.012
Repeatability	%FS	≤± 0.015	≤± 0.012
Temperature effect on Minimum dead load output	%FS/10°C	≤± 0.030	≤± 0.020
Temperature effect on output	%FS/10°C	≤± 0.030	≤± 0.020
Creep error (2 minutes)	%FS	≤± 0.010	≤± 0.005
Eccentric loading error	%	≤± 0.0200	
Minimum dead load	Of E _{max}	0%	
Safe overload	of E _{max}	120 %	
Ultimate overload	of E _{max}	150 %	
Zero balance	of FS	< ± 2.0 %	
Excitation, recommended voltage	V	5 ~ 12	
Excitation maximum	V	18	
Input resistance	Ω	406 ± 6	
Output resistance	Ω	350 ± 3	
Insulation resistance	MΩ	≥5000 (at 50VDC)	
Compensated temperature	°C	-10...+40	
Operating temperature	°C	-20...+50	
Storage temperature	°C	-30...+60	
Element material		Aluminium	
Ingress Protection (acc. to EN 60529)		IP65	
Recommended torque on fixation bolts	Nm	M3: 1.3	

Wiring

Wiring:

Shielded, 4 conductor cable.
 Cable diameter: Ø3mm.
 Standard cable length: 0.40m
 Shield not connected to element.
 Cable jacket in PVC.

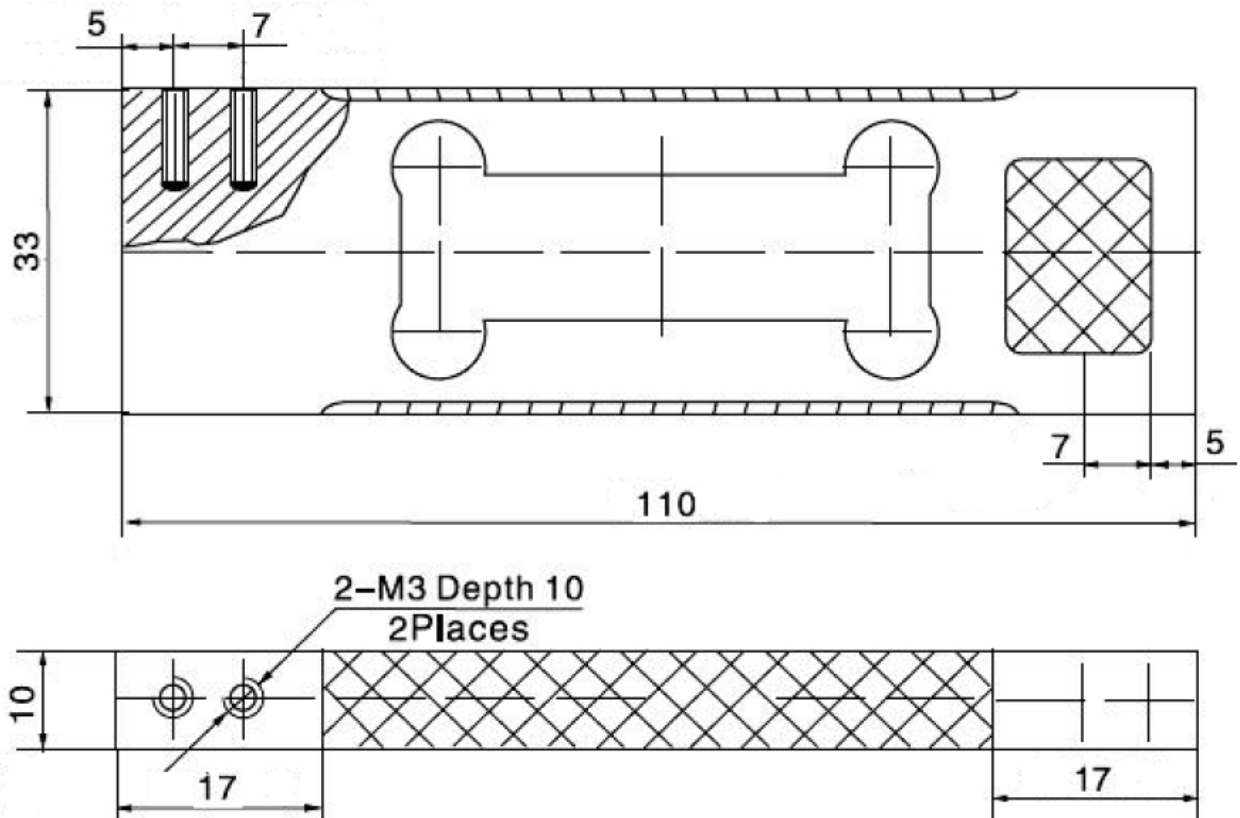
4-wire diagram



Specifications and dimensions are subject to change without notice and do not constitute any liability whatsoever.

Type L6B Load Cell

Dimensions in mm



Specifications and dimensions are subject to change without notice and do not constitute any liability whatsoever.