

# Type HM8C Load Cell



## Short description



- Nickel plated alloy steel IP68 shear beam load cell
- Hermetically sealed
- Suitable for electronic platform scales, hopper scales
- High accuracy

## Available models

Capacity	Accuracy	Full article description
500kg	C3 Excluded from OIML	HM8C-C3-500kg-4B
1t	C3 Excluded from OIML	HM8C-C3-1t-4B
1.5t	C3 Excluded from OIML	HM8C-C3-1.5t-4B
2t	C3 Excluded from OIML	HM8C-C3-2t-4B
3t	C3 Excluded from OIML	HM8C-C3-3t-6B
5t	C3 Excluded from OIML	HM8C-C3-5t-6B
10t	C3 Excluded from OIML	HM8C-C3-10t-6B

Specifications and dimensions are subject to change without notice and do not constitute any liability whatsoever.

## Detailed specifications HM8C

Accuracy class		C3
Output sensitivity ( = FS )	mV/V	2.0 ± 0.004
Maximum capacity ( E <sub>max</sub> )	t	0.5, 1, 1.5, 2, 3, 5, 10
Max.number of load cell intervals	n <sub>LC</sub>	3000
Ratio of min. LC verification interval	$Y = E_{max} / v_{min}$	7500
Combined Error	%FS	≤± 0.0230
Minimum dead load	Of E <sub>max</sub>	0%
Safe overload	of E <sub>max</sub>	150 %
Ultimate overload	of E <sub>max</sub>	300 %
Zero balance	of FS	< ± 1.5 %
Excitation, recommended voltage	V	5 ~ 12
Excitation maximum	V	18
Input resistance	Ω	350 ± 3.5
Output resistance	Ω	351 ± 2.0
Insulation resistance	MΩ	≥5000 ( at 50VDC )
Compensated temperature	°C	-10 ~ +40
Operating temperature	°C	-35 ~ +65
Storage temperature	°C	-40 ~ +90
Element material		Nickel plated alloy steel
Ingress Protection (acc. to EN 60529)		IP68
Recommended torque on fixation	Nm	M12: 100 M18:300 M24:750
ATEX classification (optional)		II1G Ex ia II1C T4   II1D Ex iaD 20 T73°C   II3G nL IIC T4

## Wiring

### Wiring:

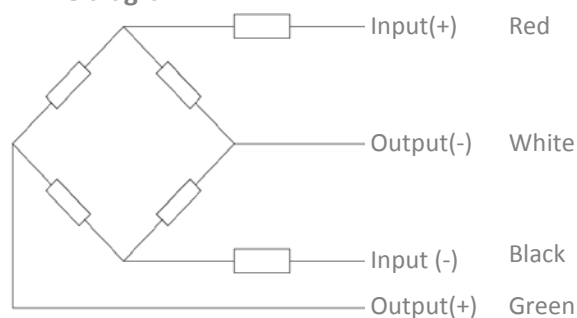
Shielded, 4 conductor cable.

Cable diameter: Ø5mm.

Standard cable length for 500kg – 2t:4m and for 3t – 10t: 6m.

Shield not connected to element.

### 4-wire diagram

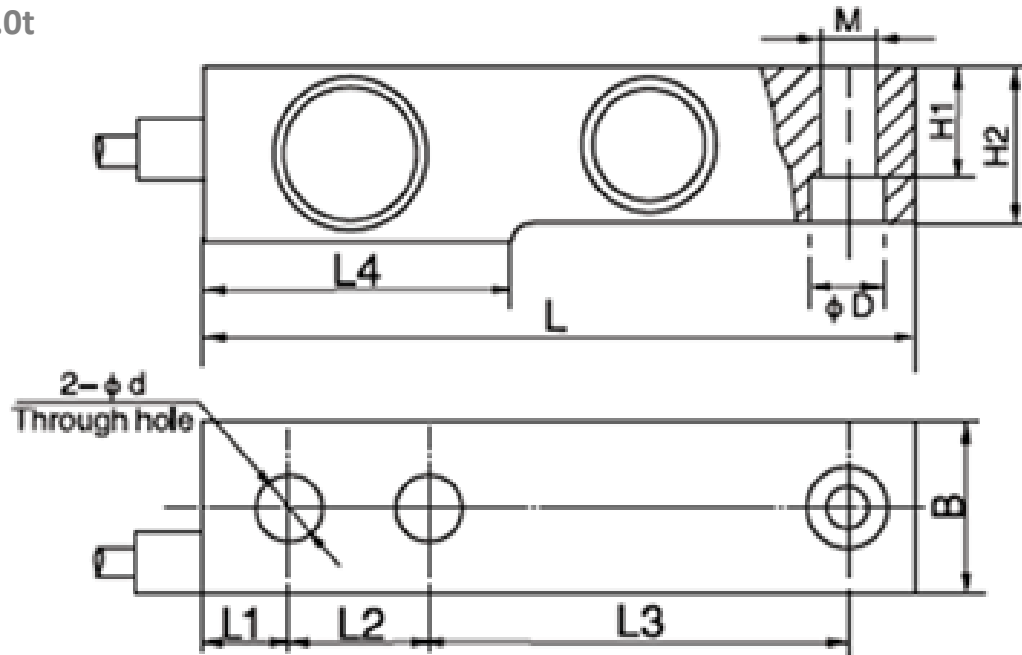


Specifications and dimensions are subject to change without notice and do not constitute any liability whatsoever.

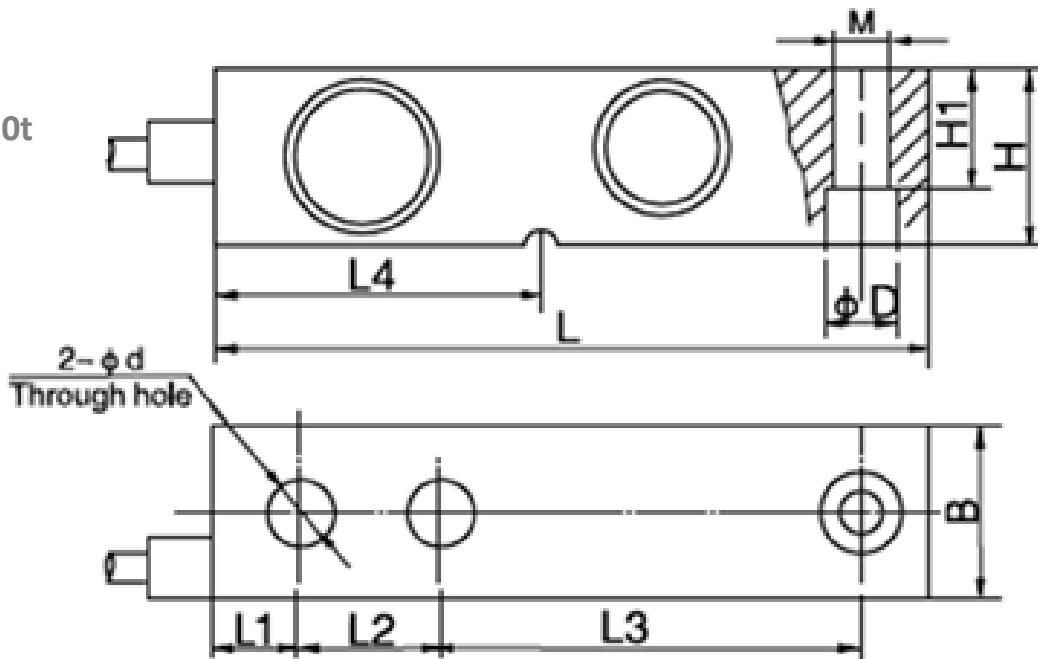
# Type HM8C Load Cell

Dimensions in mm

## 0.5t-1.0t



## 1.5t-10t

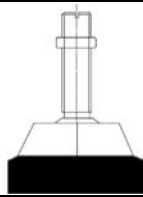
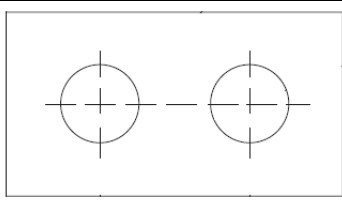
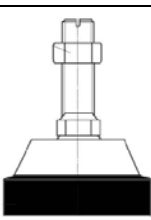
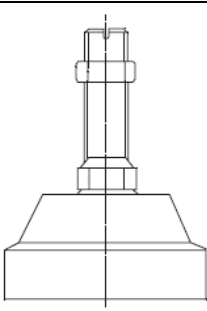
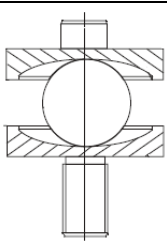
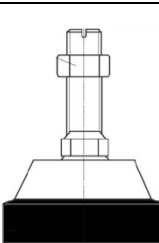
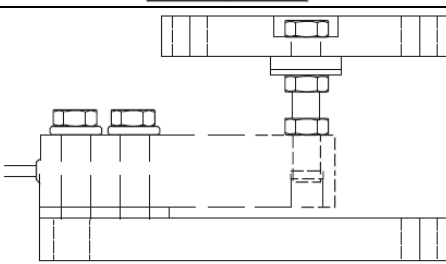


Dimension Capacity	L	L1	L2	L3	L4	H	H1	H2	B	ØD	Ød	M
0.5t	130	15.8	25.4	76.2	53.7	31.8	15.8	26	31.8	13.5	13.5	M12
1t	130	15.8	25.4	76.2	53.7	31.8	15.8	28	31.8	13.5	13.5	M12
1.5t, 2t	130	15.8	25.4	76.2	54.2	31.8	15.8	-	31.8	13.5	13.5	M12
3t, 5t	171.5	19.1	38.1	95.3	77.2	38.1	18.8	-	38.1	19.8	19.8	M18
10t	222.3	25.4	50.8	120.3	101.6	50.8	25.4	-	50.8	26	26	M24

Specifications and dimensions are subject to change without notice and do not constitute any liability whatsoever.

# Type HM8C Load Cell

## Available accessories

<p><b>HJ-8-213-0.5-2t foot</b></p> <ul style="list-style-type: none"> <li>• Ø60 and height 62 mm</li> <li>• Nickel plated alloy steel</li> <li>• Adjustable height</li> </ul>	
<p><b>HD-8-301-0.5-5t spacer plate</b></p> <ul style="list-style-type: none"> <li>• Alloy Steel</li> <li>• Mainly used for platform scales, floor scales and other electronic weighing devices</li> </ul>	
<p><b>HJ-8-201-0.1-10t foot</b></p> <ul style="list-style-type: none"> <li>• Ø60-86 and height 92-112 mm</li> <li>• Nickel plated alloy steel</li> <li>• Adjustable height</li> </ul>	
<p><b>HJ-8-203-0.5-2t foot</b></p> <ul style="list-style-type: none"> <li>• Ø80 and height 105 mm</li> <li>• Stainless steel mount</li> <li>• Adjustable height</li> <li>• Easy installation</li> <li>• Automatically centralized inside</li> <li>• Good ability of anti-side loading</li> <li>• Mainly used for platform scales, floor scales and other electronic weighing devices</li> </ul>	
<p><b>HY-8-102-0.5-5t</b></p> <ul style="list-style-type: none"> <li>• Nickel plated alloy steel</li> <li>• Easy installation</li> <li>• Automatically centralized with steel ball</li> <li>• Good self-alignment ability</li> <li>• Mainly used for platform scales, floor scales and other electronic weighing devices</li> </ul>	
<p><b>BJ-8-202-0.5-5t foot</b></p> <ul style="list-style-type: none"> <li>• Ø60-80 and height 92-105 mm</li> <li>• Stainless Steel</li> <li>• Adjustable height</li> </ul>	
<p><b>BM-8-404-0.5-5t mount</b></p> <ul style="list-style-type: none"> <li>• Hardened stainless steel components</li> <li>• Compact construction</li> <li>• Using under heavy static load or slight dynamic load</li> <li>• Good ability against corrosive environments</li> </ul>	

Specifications and dimensions are subject to change without notice and do not constitute any liability whatsoever.