



Short description



- Height adjustable foot
- Easy installation
- Nickel plated alloy steel
- Can be used with Load Cell models: H8C, B8D, HM8C, BM8D & all low capacity M10 loading hole load cells

Available models

Model	Capacity	Full article description	Part number
HJ-8-213	0.5t – 2t	HJ-8-213-0.5/2t	2080011
	Low capacity	HJ-8-213-low capacity M10	2080111

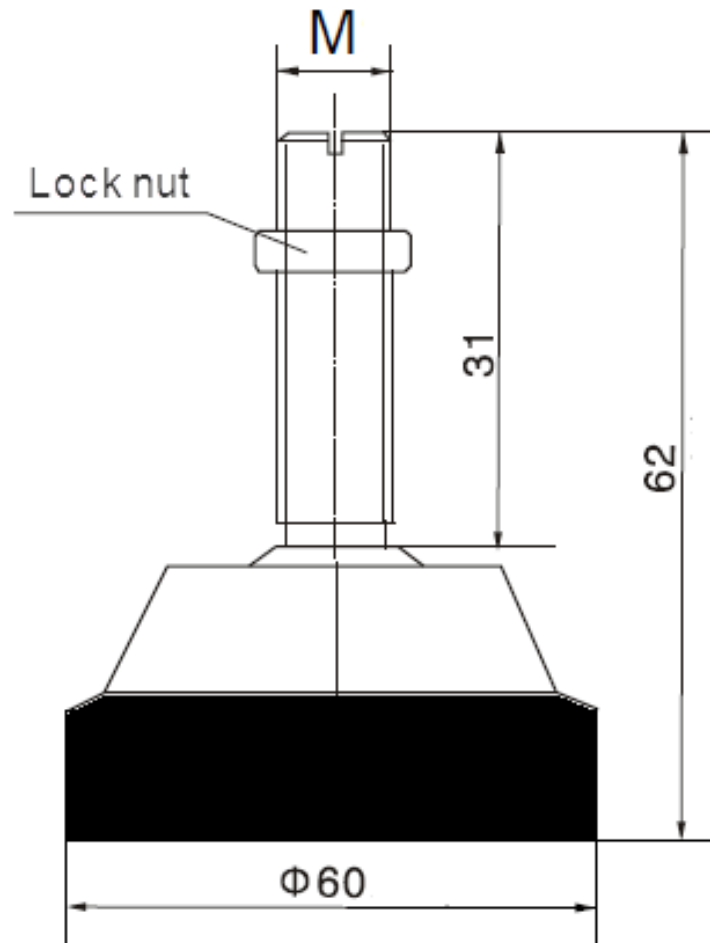
Detailed specifications HJ-8-213

Capacity	0.5t – 2t
Maximum vertical force (down)	30kN
Maximum horizontal movement	+1 / -1 mm

Specifications and dimensions are subject to change without notice and do not constitute any liability whatsoever.

Type HJ-8-213

Dimensions in mm



Dimension Type	Capacity	M
HJ-8-213	0.5t – 2t	M12 x 1.75
	Low capacity	M10

Specifications and dimensions are subject to change without notice and do not constitute any liability whatsoever.