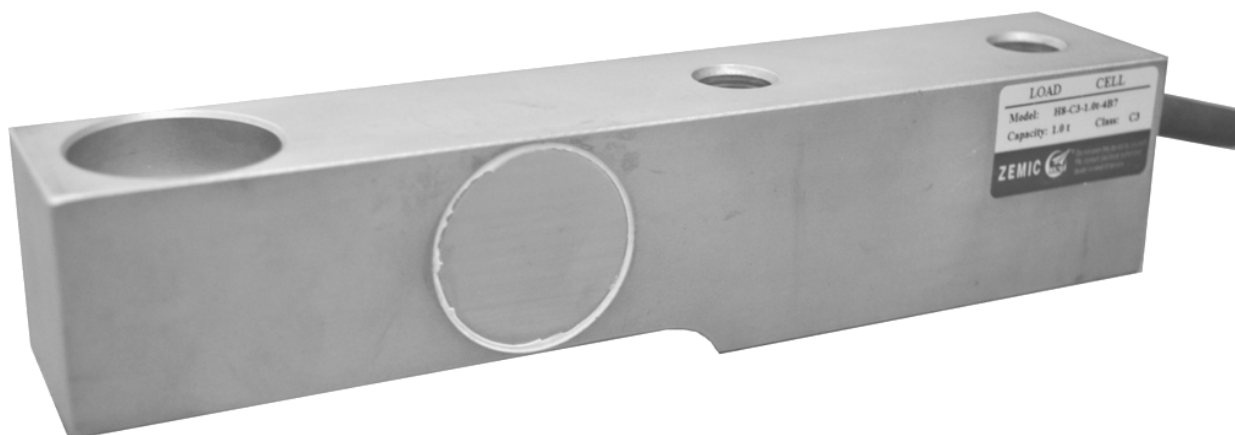



# Type H8 Load Cell



## Short description



- Nickel plated alloy steel IP67 shear beam load cell
- Suitable for truck-, track and hopper scales
- Suitable for hazardous locations

 test certificate no. D09-05.20  
C of C no R60/2000-CN1-06.09

## Available models

Capacity	Accuracy	Full article description
500kg	C3 Excluded from OIML	H8-C3-500kg-4B6
1t	C3 Excluded from OIML	H8-C3-1t-4B6
2t	C3 Excluded from OIML	H8-C3-2t-4B6
2.5t	C3 Excluded from OIML	H8-C3-2.5t-4B6
3t	C3 Excluded from OIML	H8-C3-3t-4B6
5t	C3	H8-C3-5t-6.5B6
10t	C3	H8-C3-10t-12B6
15t	C3	H8-C3-15t-12B6
20t	C3	H8-C3-20t-12B6
25t	C3	H8-C3-25t-12B6
30t	C3	H8-C3-30t-12B6
50t	C3	H8-C3-50t-12B6

Specifications and dimensions are subject to change without notice and do not constitute any liability whatsoever.

# Type H8 Load Cell

## Detailed specifications H8

Accuracy class		C3	OIML R60 C3		
Output sensitivity ( = FS )	mV/V	2.0 ± 0.002			
Maximum capacity ( E <sub>max</sub> )	t	0.5, 1, 2, 2.5, 3	5, 10, 15, 20	25, 30, 50	
Max.number of load cell intervals	n <sub>LC</sub>	3000			
Ratio of min. LC verification interval	$Y = E_{max} / v_{min}$	10000	10000	15000	
Combined Error	%FS	≤± 0.0230			
Minimum dead load	Of E <sub>max</sub>	0%			
Safe overload	of E <sub>max</sub>	150 %			
Ultimate overload	of E <sub>max</sub>	300 %			
Zero balance	of FS	< ± 1.5 %			
Excitation, recommended voltage	V	5 ~ 12			
Excitation maximum	V	18			
Input resistance	Ω	350 ± 3.5			
Output resistance	Ω	351 ± 2			
Insulation resistance	MΩ	≥5000 ( at 50VDC )			
Compensated temperature	°C	-10 ~ +40			
Operating temperature	°C	-35 ~ +65			
Storage temperature	°C	-40 ~ +80			
Element material		Nickel plated alloy steel			
Ingress Protection (acc. to EN 60529)		IP67			
Recommended torque on fixation	Nm	M12: 75	M14:120	M20:450	M27:1075 M33:1975
ATEX classification (optional)		II1G Ex ia II1C T4	II1D Ex iaD 20 T73°C	II3G nL IIC T4	

## Wiring

### Wiring:

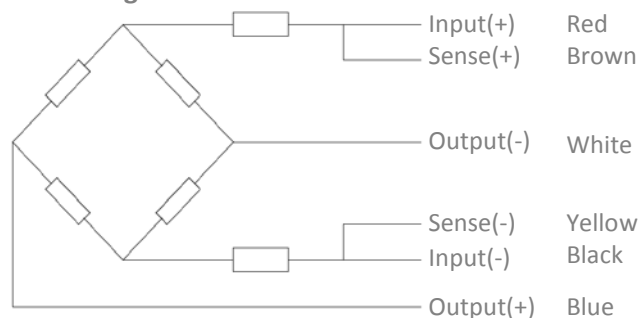
Shielded, 6 conductor cable

Cable diameter: Ø6.2mm.

Standard cable length for 0.5t – 2t: 4m, for 5t: 6.5m and for 10t – 50t:12m.

Shield in not connected to the element.

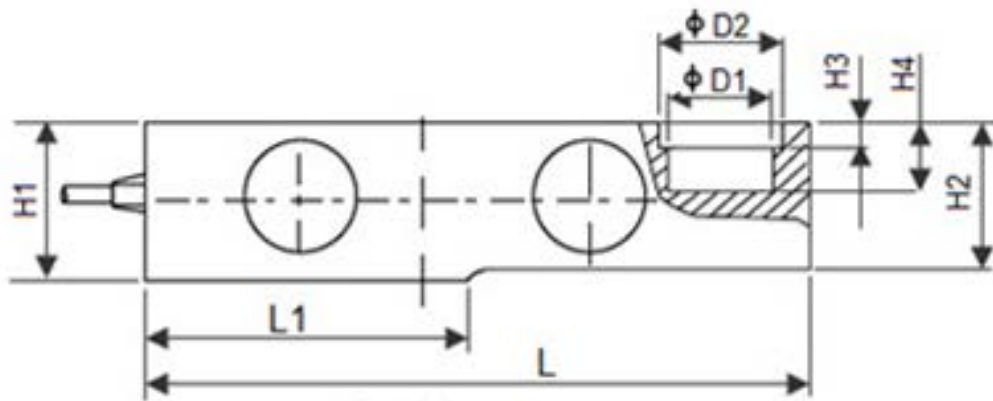
### 6-wire diagram



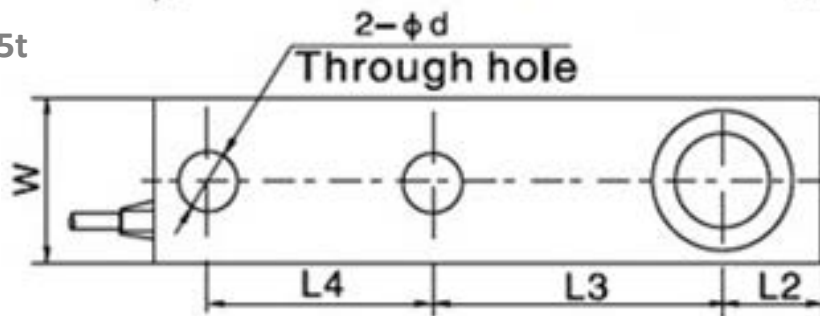
Specifications and dimensions are subject to change without notice and do not constitute any liability whatsoever.

# Type H8 Load Cell

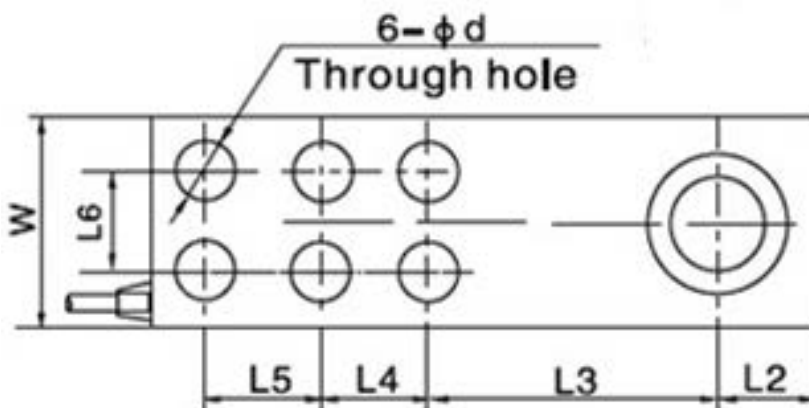
Dimensions in mm



0.5t – 25t



30t, 50t

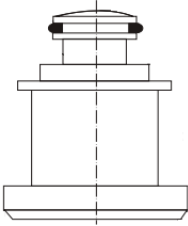
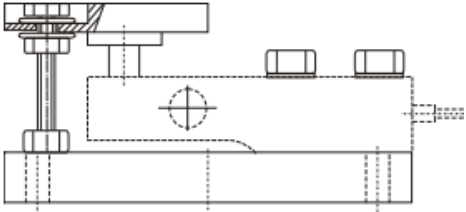
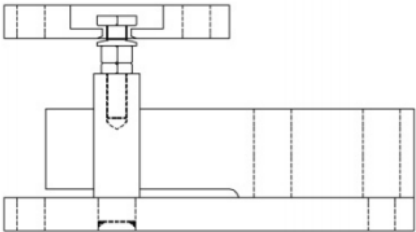


Dimension Capacity	H1	H2	H3	H4	$\phi D1$	$\phi D2$	$\phi d$	W	L	L1	L2	L3	L4	L5	L6
0.5t-2t	43	37	12.5	30	16	32	13	37	203	95	22	98	64	-	-
2.5t	43	37	12.5	30	16	32	15	37	203	95	22	98	64	-	-
3t	43	37	12.5	25	16	32	15	37	203	95	22	98	64	-	-
5t	52	48	12.5	30	22	38	21	48	235	110	22	124	66	-	-
10t	67	60	8.5	20	32	48	28	60	279	133	32	140	82	-	-
15t	67	60	8.5	20	32	48	28	60	279	133	32	140	82	-	-
20t, 25t	82.5	70	10	24	38	54	34	70	318	153	38	159	89	-	-
30t	115	90	14	32	38	54	26	96	374	189	44.5	181	76	51	46
50t	143	100	14	32	44	60	29	105	416	210	48	196	92	56	52

Specifications and dimensions are subject to change without notice and do not constitute any liability whatsoever.

# Type H8 Load Cell

## Available accessories

<p><b>HY-8-101-05-50t foot</b></p> <ul style="list-style-type: none"><li>• Easy installation</li><li>• Anti-corrosion</li><li>• Good self-alignment ability</li><li>• Mainly used for truck scales, platform scales and other electronic weighing devices</li></ul>	
<p><b>HM-8-401-0.5-20t Mount</b></p> <ul style="list-style-type: none"><li>• Easy installation</li><li>• Anti-reversal ability</li><li>• Anti-overloading ability</li><li>• Good self-alignment ability</li><li>• Using under heavy static or slight dynamic load</li></ul>	
<p><b>HM-8-407-0.5-15t Mount</b></p> <ul style="list-style-type: none"><li>• Alloy Steel</li><li>• Good self-alignment ability</li><li>• Lift-off protection</li></ul>	

Specifications and dimensions are subject to change without notice and do not constitute any liability whatsoever.