



Short description



- Good self-alignment ability
- Anti-reversal ability
- Stainless steel
- Easy installation
- Can be used with Load Cell models: BM14A

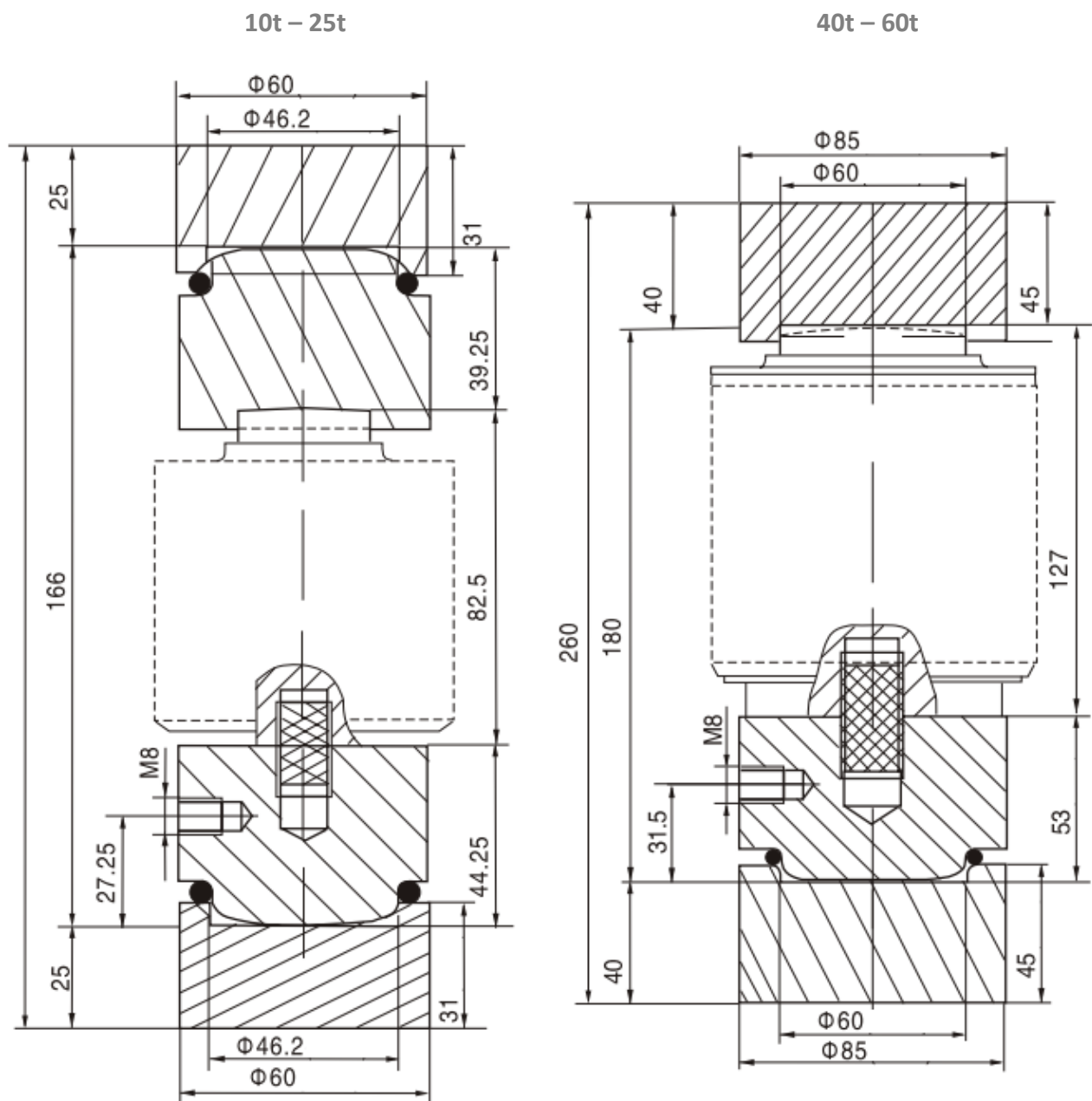
Available models

Model	Capacity	Full article description	Part number
BY-14-101	10t – 25t	BY-14-101-10/25t	2140210
BY-14-101	40t – 60t	BY-14-101-40/60t	2140220

Specifications and dimensions are subject to change without notice and do not constitute any liability whatsoever.

Type BY-14-101

Dimensions in mm



Specifications and dimensions are subject to change without notice and do not constitute any liability whatsoever.