

Type B6N Load Cell



Short description



- Stainless steel IP67 single point load cell
- Bending beam
- Suitable for weighing equipment like platform and belt scales
- Maximum platform size: 400 x 400 mm



test certificate no. TC8009 Revision 0 and D09-10.10
C of C no R60/2000-NL1-10.27 and R60/2000-DE1-10.04

Available models

Capacity	Accuracy	Full article description
8kg	C3/C4	B6N-C3/C4-8kg-1B6-S1
10kg	C3/C4	B6N-C3/C4-10kg-1B6-S1
15kg	C3/C4	B6N-C3/C4-15kg-1B6-S1
20kg	C3/C4	B6N-C3/C4-20kg-1B6-S1
30kg	C3/C4	B6N-C3/C4-30kg-1B6-S1
50kg	C3	B6N-C3-50kg-1B6-S1
75kg	C3	B6N-C3-75kg-1B6-S1
100kg	C3	B6N-C3-100kg-1B6-S1
150kg	C3	B6N-C3-150kg-1B6-S1
200kg	C3	B6N-C3-200kg-1B6-S1

Specifications and dimensions are subject to change without notice and do not constitute any liability whatsoever.

Type B6N Load Cell

Detailed specifications B6N

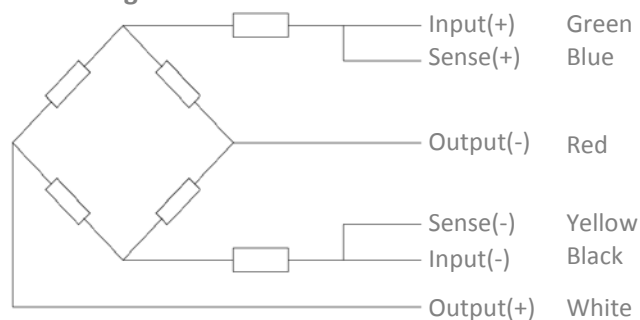
Accuracy class		OIML R60 C3		OIML R60 C4
Output sensitivity (= FS)	mV/V	2.0 ± 0.002		
Maximum capacity (E _{max})	kg	8, 10, 15, 20, 30	50, 75, 100, 150, 200	8, 10, 15, 20, 30
Max.number of load cell intervals	n _{LC}	3000		4000
Ratio of min. LC verification interval	Y = E _{max} / v _{min}	10000	9000	15000
Combined Error	%FS	≤± 0.0230		≤± 0.0175
Minimum dead load	Of E _{max}	0%		
Safe overload	of E _{max}	150 %		
Ultimate overload	of E _{max}	300 %		
Zero balance	of FS	< ± 1.0 %		
Excitation, recommended voltage	V	5 ~ 12		
Excitation maximum	V	18		
Input resistance	Ω	430 ± 60		
Output resistance	Ω	351 ± 2		
Insulation resistance	MΩ	≥5000 (at 50VDC)		
Compensated temperature	°C	-10 ~ +40		
Operating temperature	°C	-35 ~ +65		
Storage temperature	°C	-40 ~ +70		
Element material		Stainless steel		
Ingress Protection (acc. to EN 60529)		IP67		
Recommended torque on fixation	Nm	M6: 10		
ATEX classification (optional)		II1G Ex ia II1C T4	II1D Ex iaD 20 T73°C	II3G nL IIC T4

Wiring

Wiring:

Shielded, 6 conductor cable.
 Cable diameter: Ø5mm
 Standard cable length: 1m
 Shield not connected to element

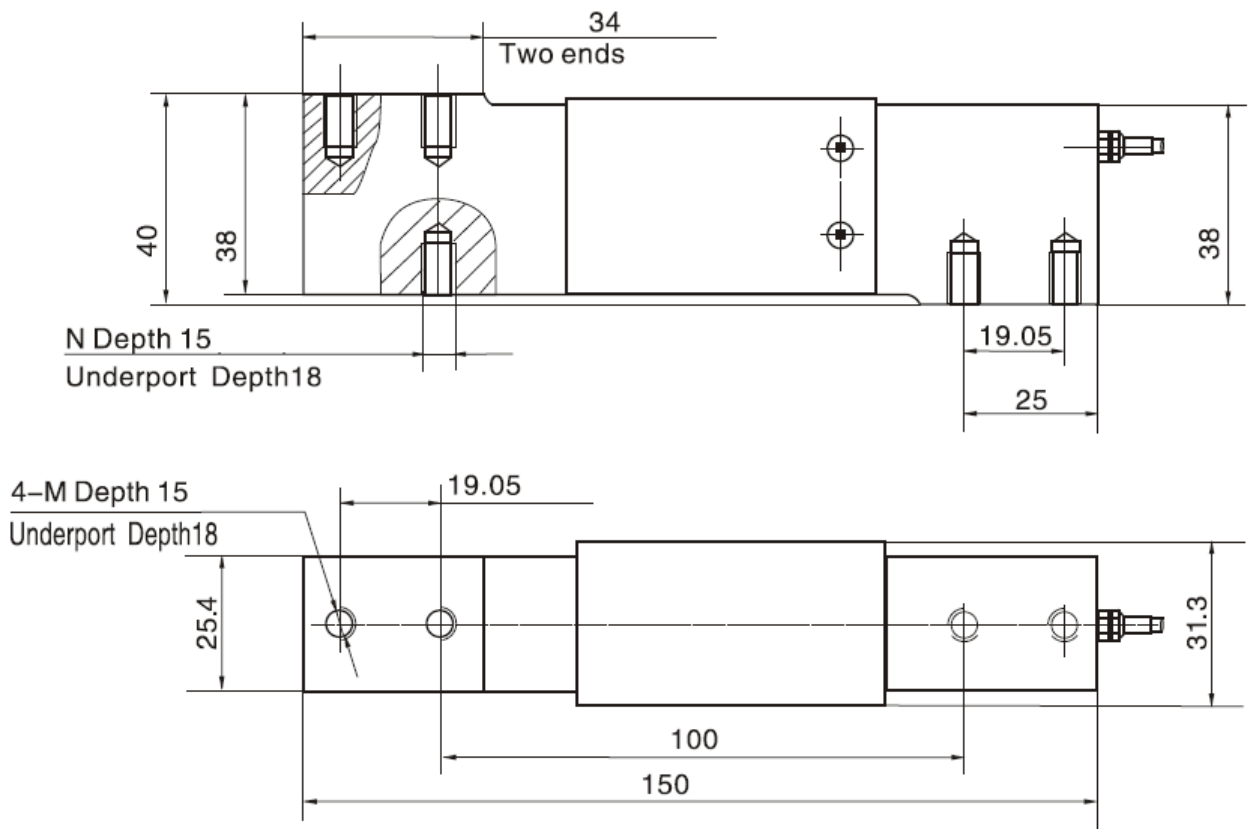
6-wire diagram



Specifications and dimensions are subject to change without notice and do not constitute any liability whatsoever.

Type B6N Load Cell

Dimensions in mm



Specifications and dimensions are subject to change without notice and do not constitute any liability whatsoever.